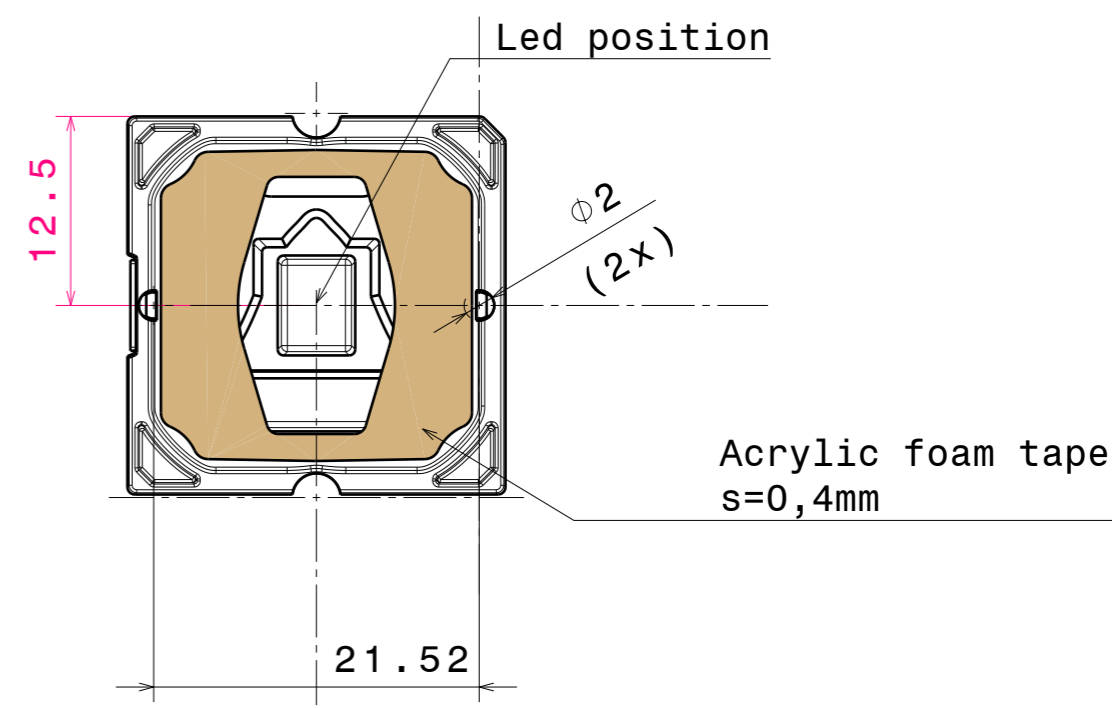
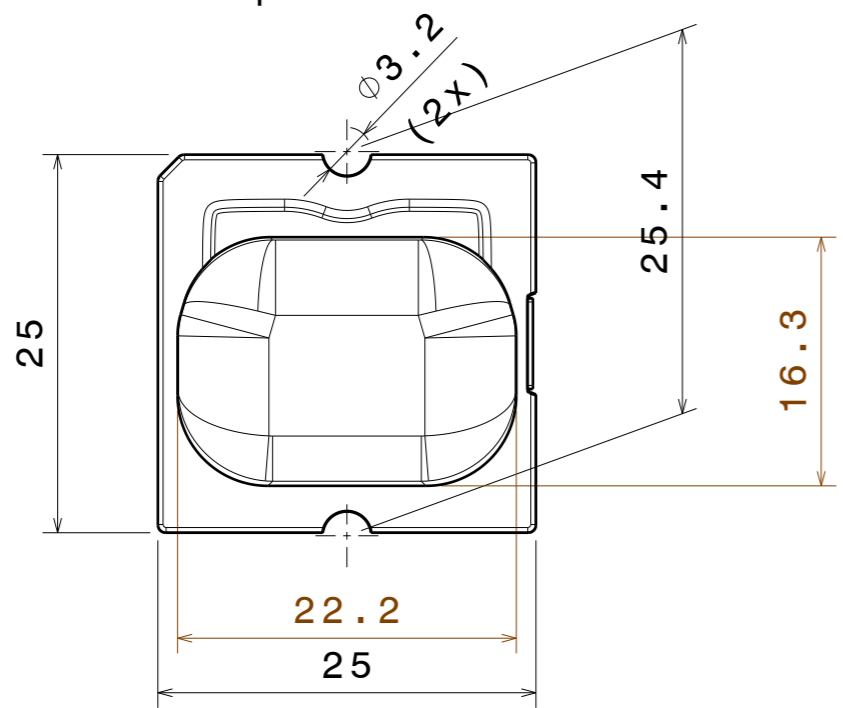


Bottom view



Top view



PART	TYPE	MATERIAL	COLOR / COATING
C14948_STRADA-SQ-T3B		PMMA	
C14564_ROSE-TAPE		Acrylic foam	

MECHANICAL DRAWING		LEDiL [®]
PRODUCT STRADA		
Plastic moulding general tolerances according to DIN 16901-130 and applies if not otherwise shown in the drawing. Silicone moulding general tolerances according to ISO 3302-1 Class M3 and applies if not otherwise shown in the drawing.	FIRST ANGLE PROJECTION: 	This drawing is the property of LEDiL Oy. It may not be copied or otherwise distributed without prior written permission from LEDiL Oy.
SCALE 2:1	WEIGHT -	A3 SHEET 1/1